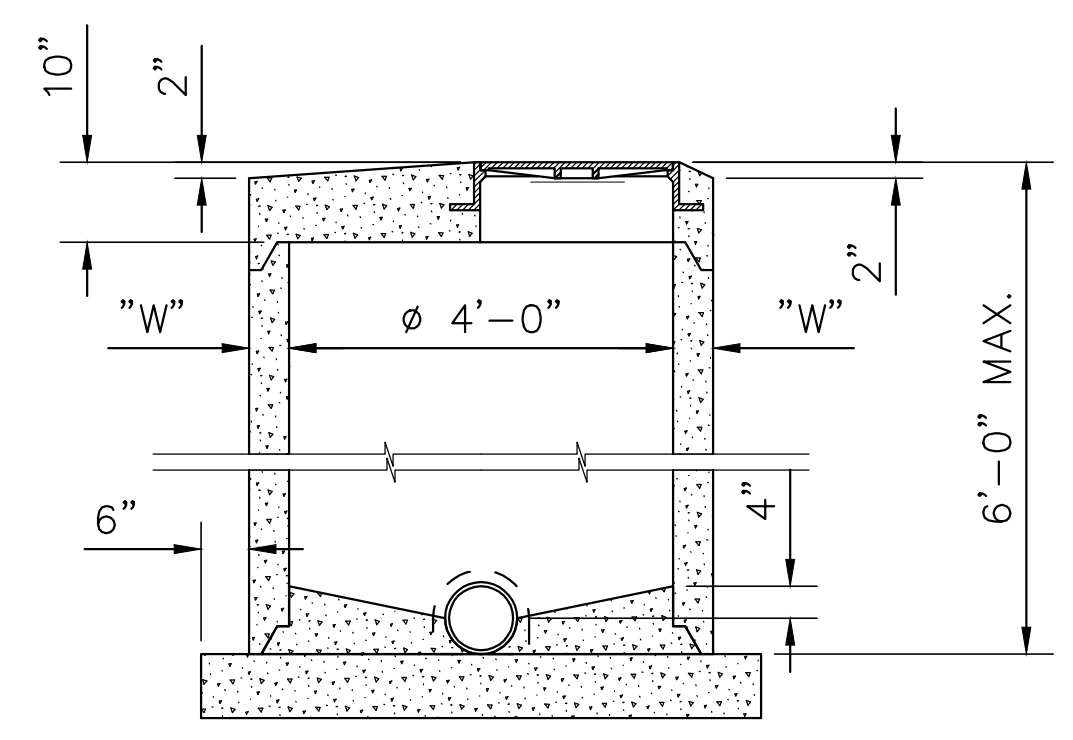
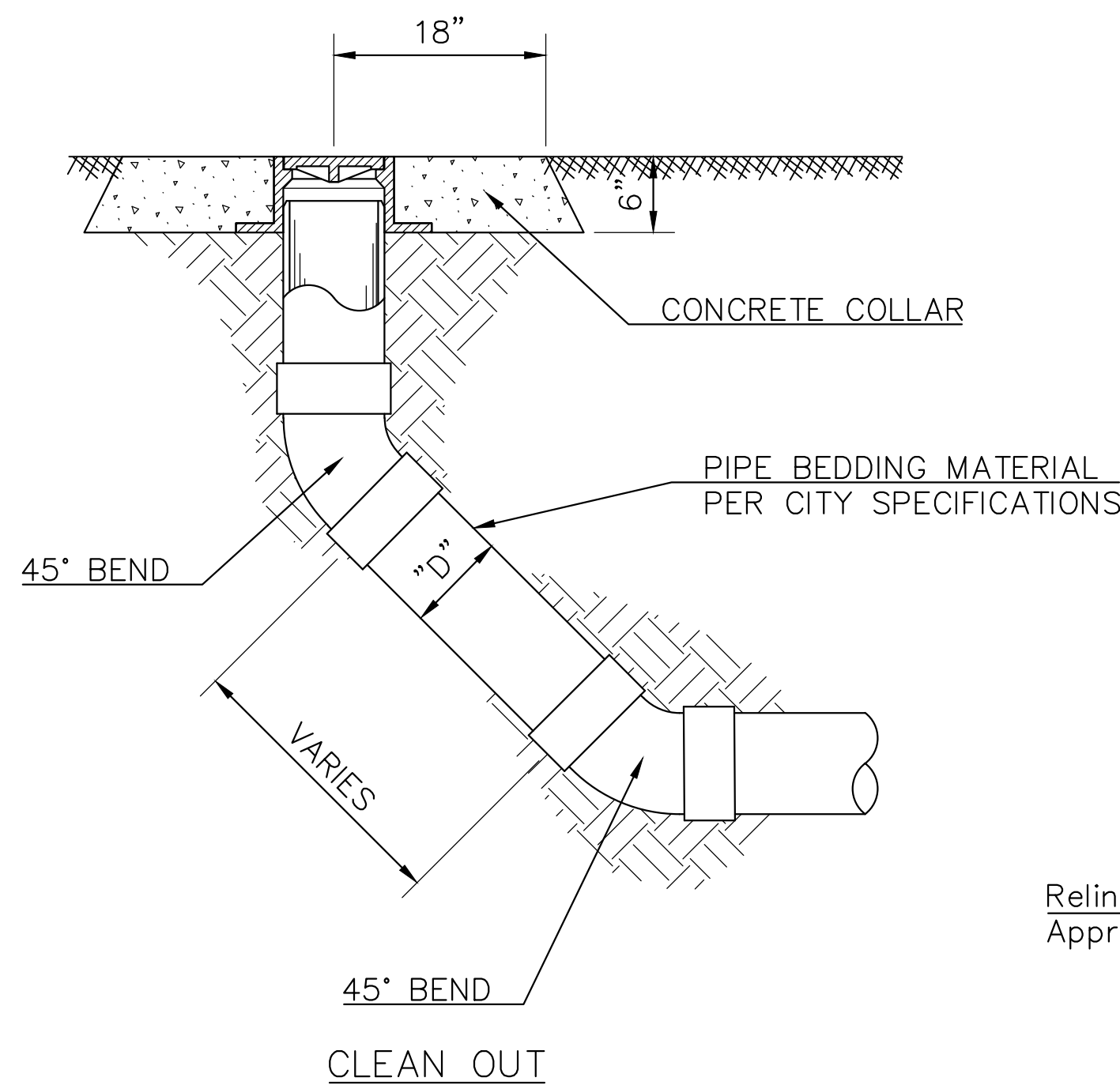
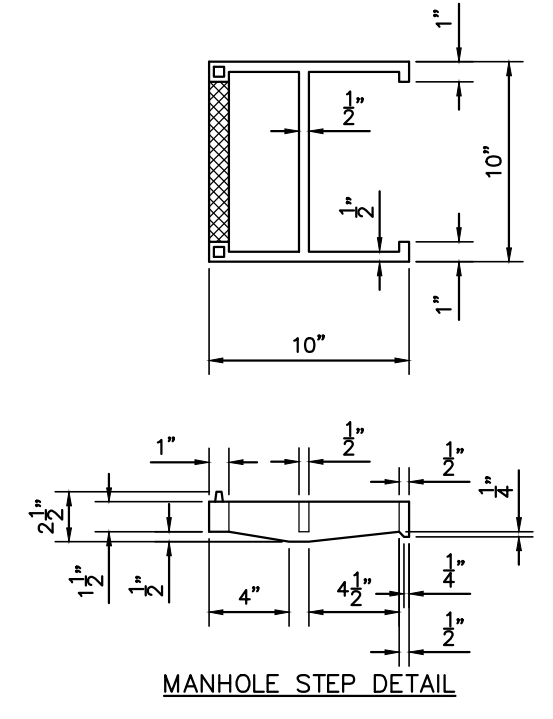


PLANS	BY	DATE
SURVEY:		
DESIGNED:		
DRAWN:		
CHECKED:		

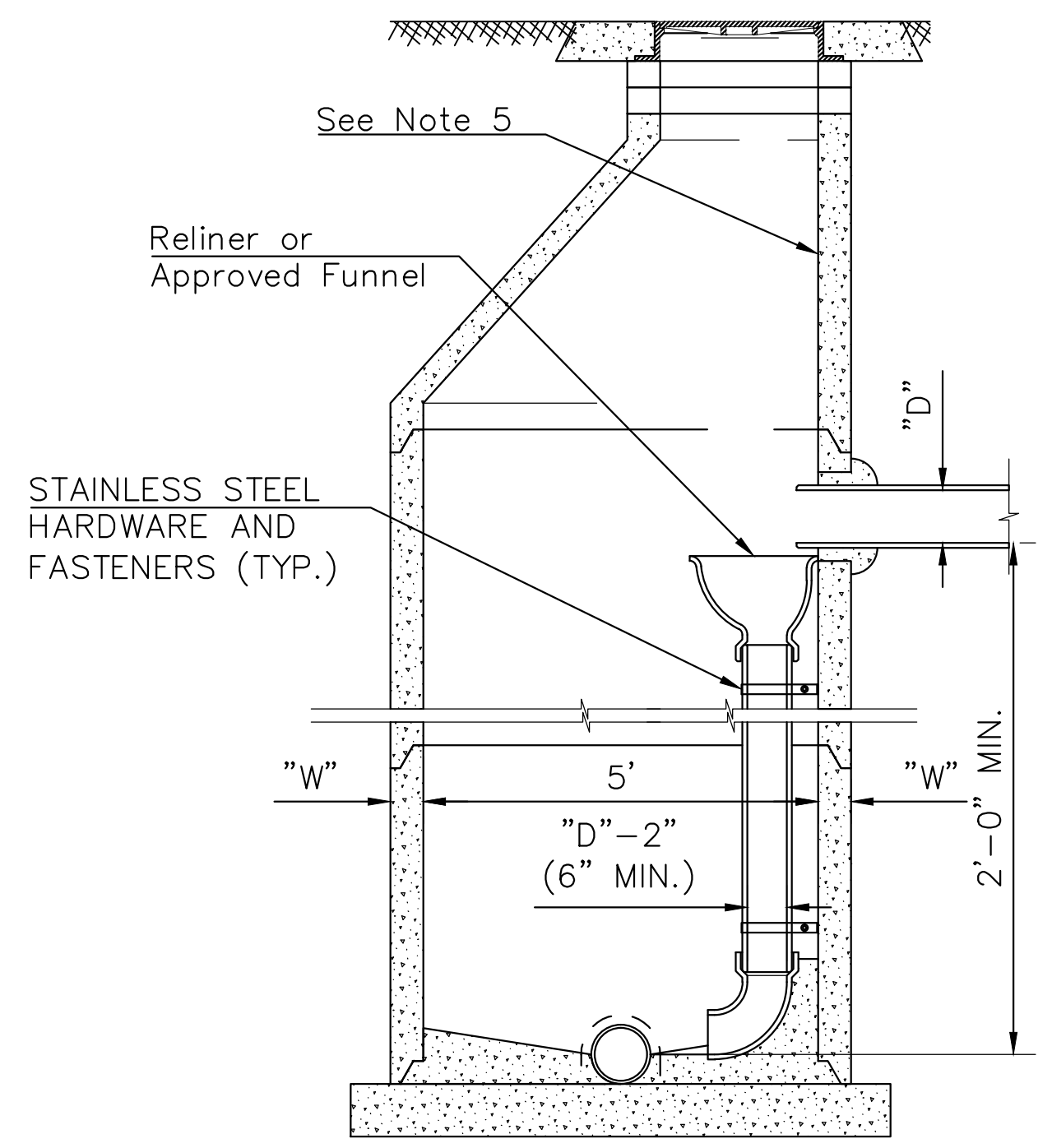
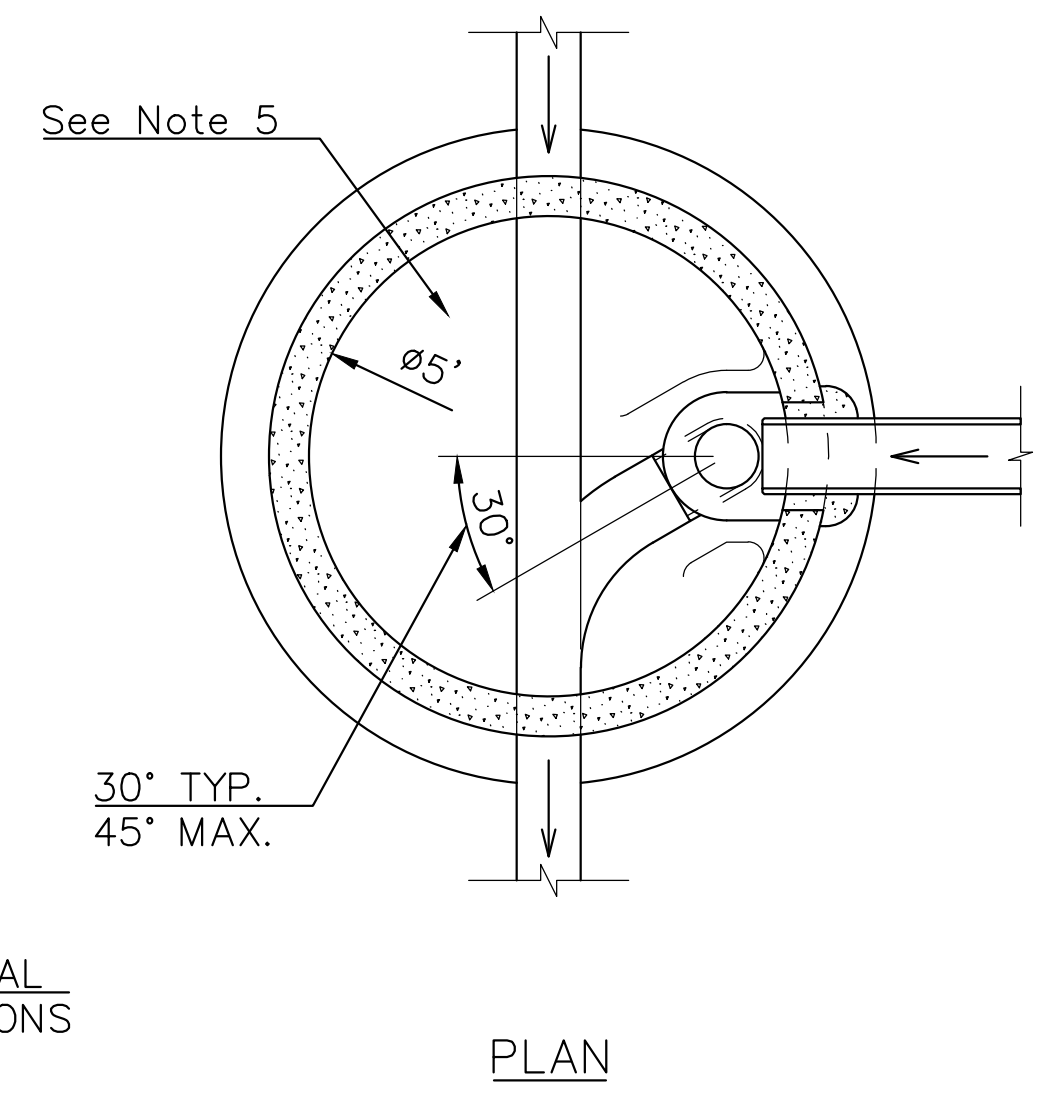
MANHOLE WALL THICKNESS - "W"		
DEPTH	THICKNESS	MINIMUM
0-16 Ft	1/12 INTERNAL SHELL DIAMETER	0'-4"
16 Ft +	1/12 INTERNAL SHELL DIAMETER + 1"	0'-5"

MANHOLE GENERAL NOTES

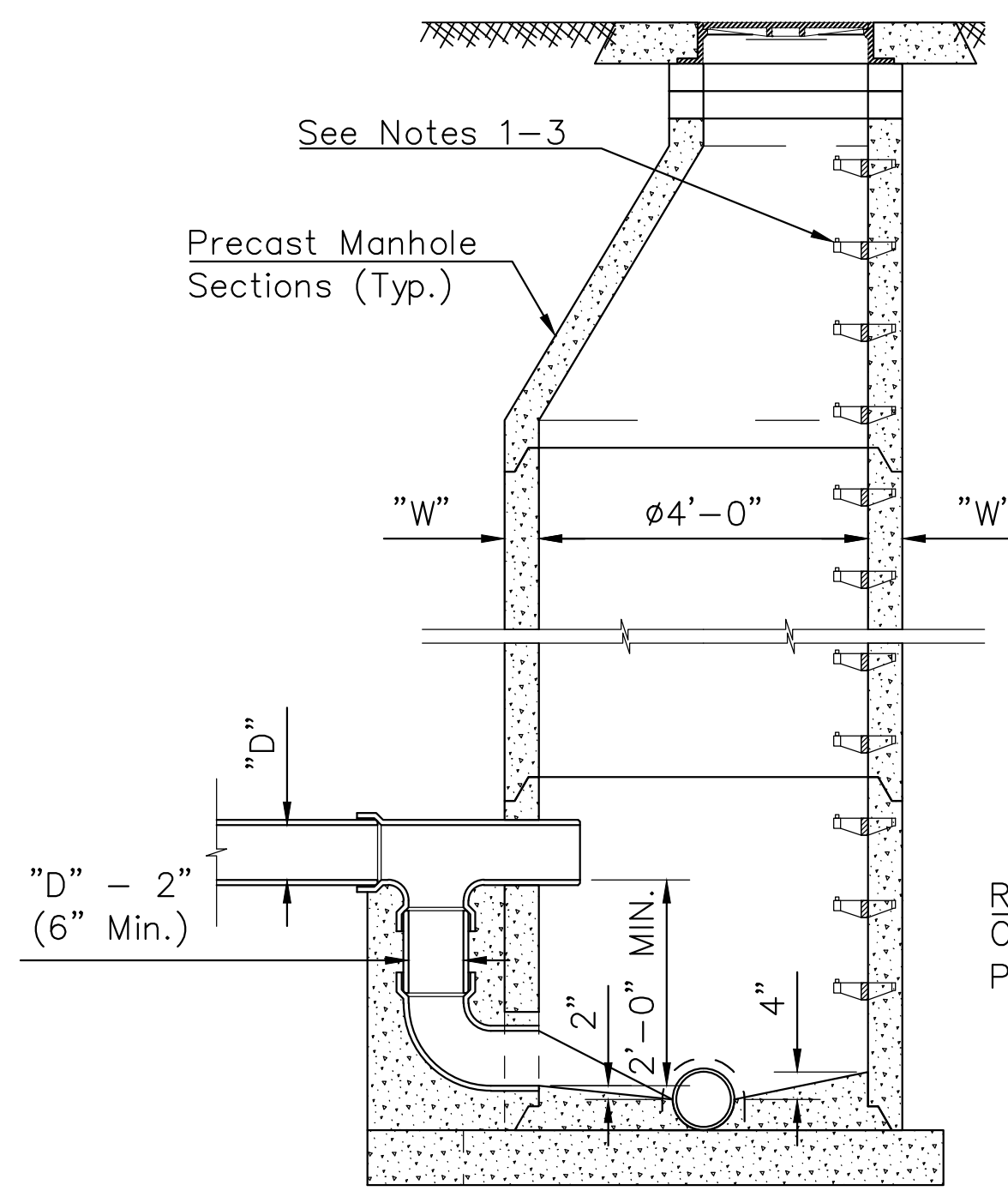
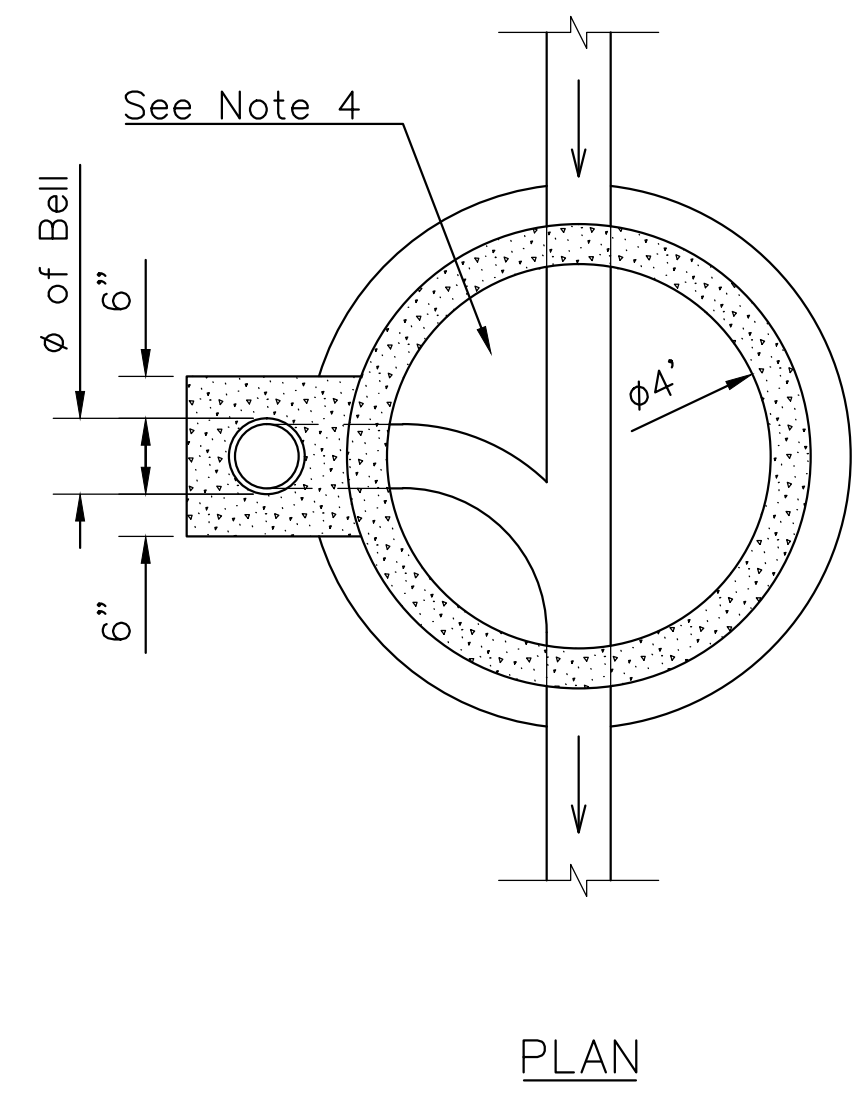
1. Cast iron steps shall have a finish and tensile strength conforming to ASTM standard A48, Class 30; Refer to step detail drawing.
2. Steps are optional and may be omitted by the Engineer.
3. Steps are not to be installed when manhole depth is less than 6'-0".
4. Steps are omitted from plan views for clarity.
5. Steps shall NOT be installed on Inside Drop Manholes unless otherwise directed by the Engineer.



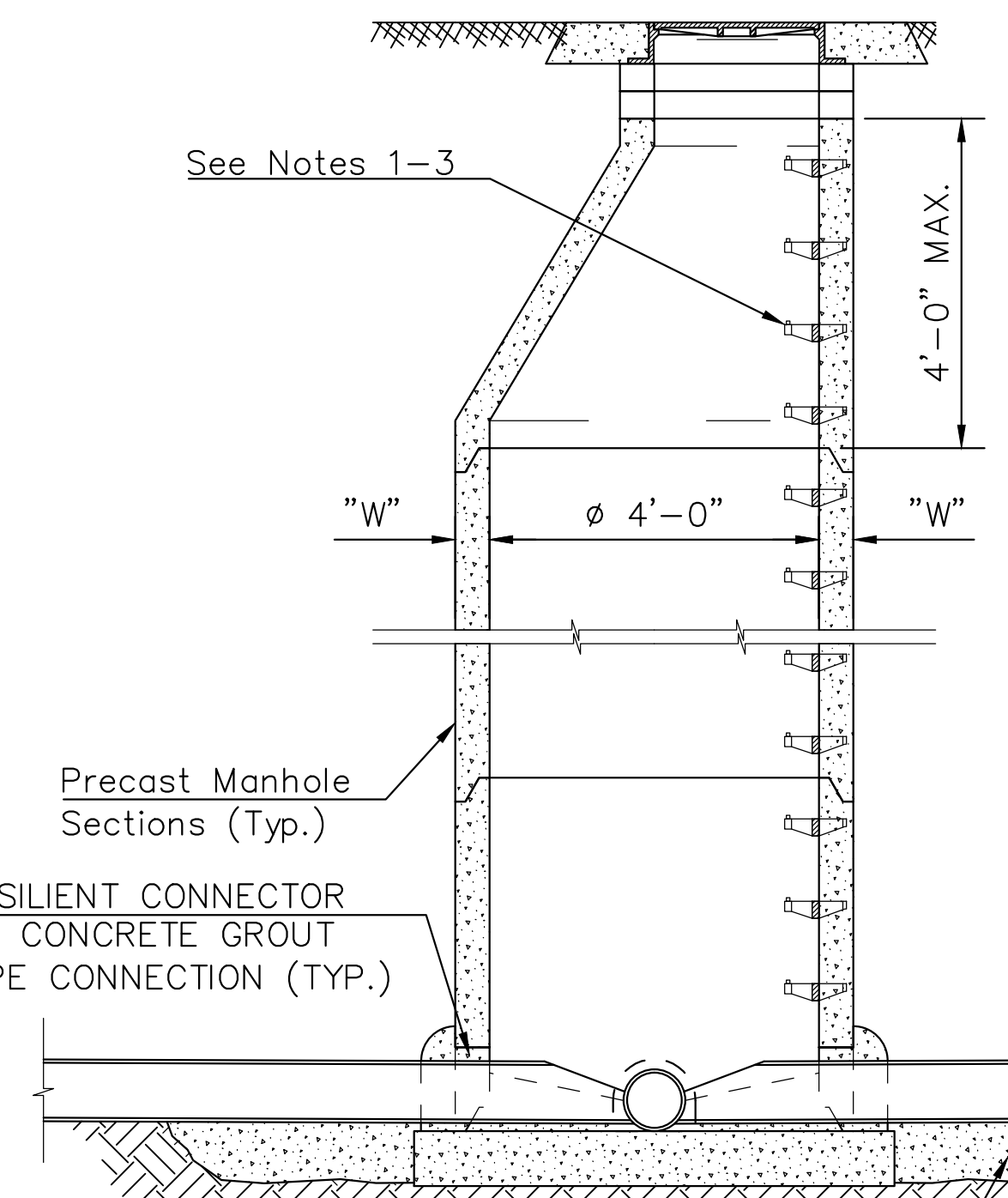
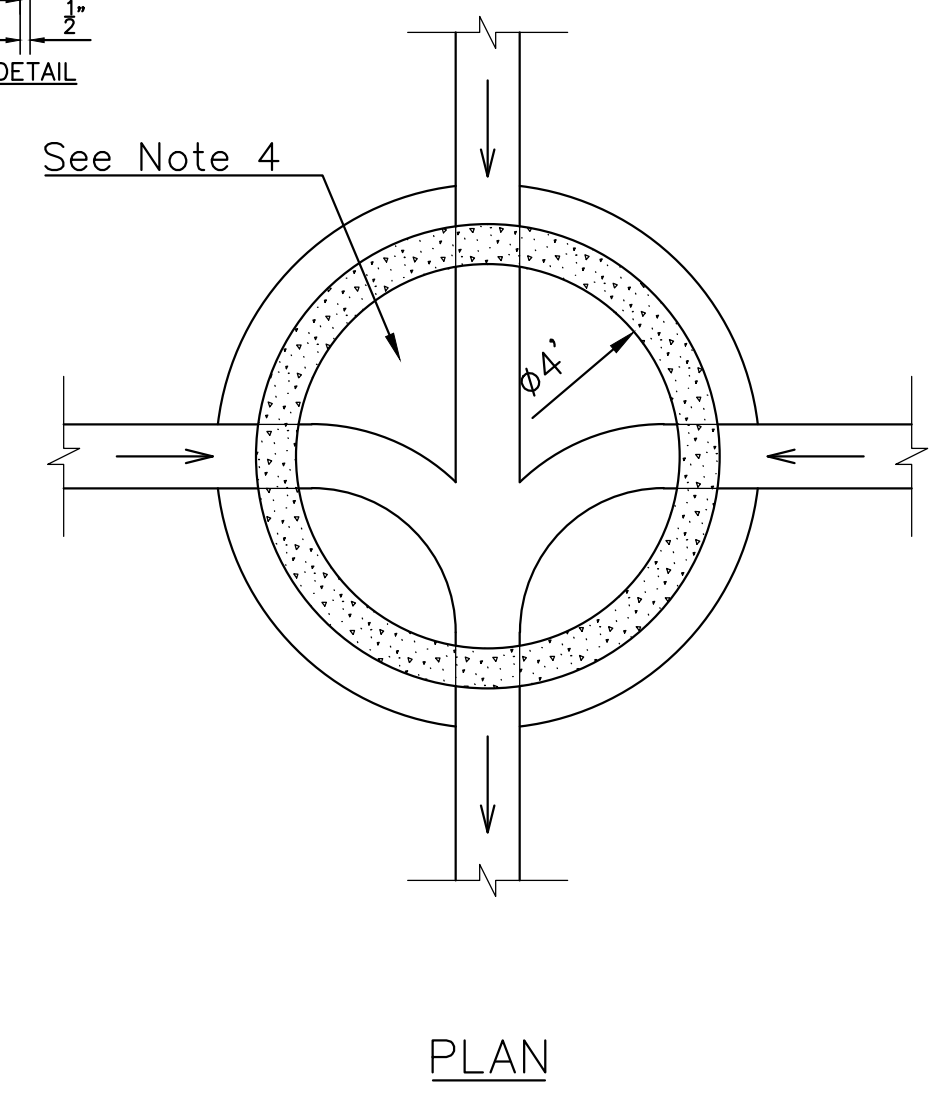
SHALLOW MANHOLE



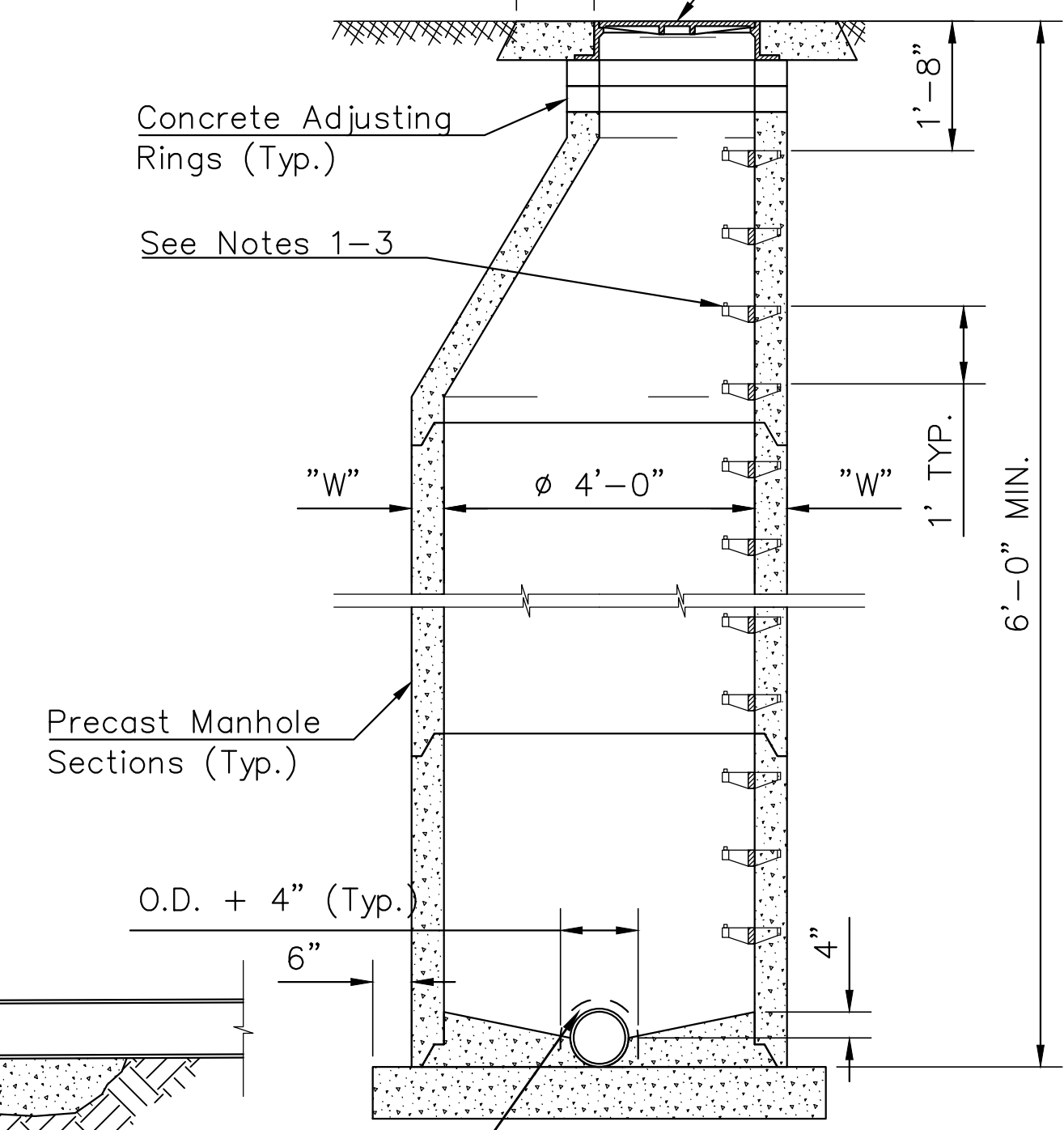
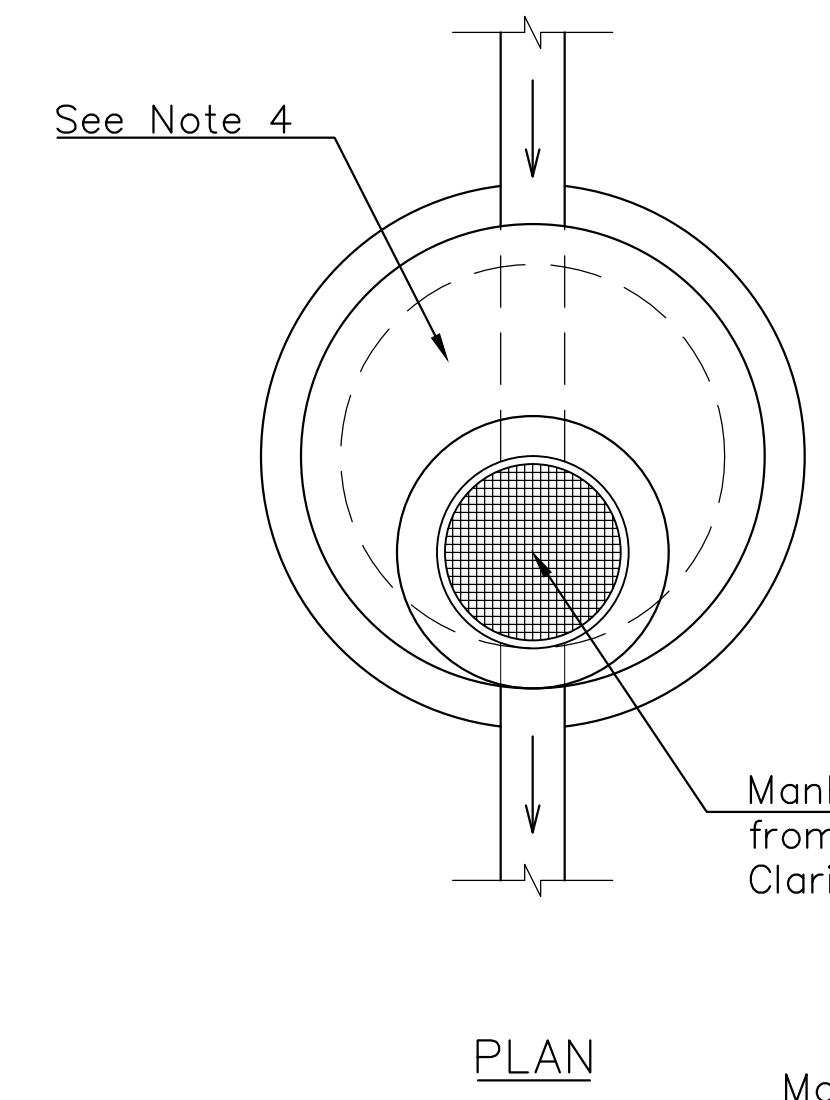
INSIDE DROP MANHOLE



OUTSIDE DROP MANHOLE



JUNCTION MANHOLE



THROUGH MANHOLE

Design File: I:\PublicWorks\Standards\SanitarySewer\ManholeStd\ManholeStandardSheet.dwg

McPHERSON
CITY OF McPHERSON, KANSAS
PUBLIC WORKS DEPT.

PLANS REVIEWED BY	DATE	APP'D	DATE	REVISION	BY	APP'D

PRELIMINARY
NOT FOR
CONSTRUCTION

Project Title
Project Description
Project Location

Manhole Standards
Manhole Standards for the City of McPherson, Kansas

PROJECT NO:	####	FILE	ManholeStandardSheet.dwg
WORK ORDER NO:	----	PLOT BY:	RichardH
AS BUILT DATE:		PLOT DATE:	2013-12-05
INSPECTOR:		SHEET	1 OF 1